



General Chemicals



Fine Chemicals



Petrochemicals



Nuclear and Navy



Cryogenic Service



Plastics and Polymers



Other Applications

Top entry ball valve
Floating ball
Full bore/type 311

application: liquids gas high viscosity fluids

Top entry ball valve

Floating ball

Full bore/type 311

Features

- Top entry design allowing on line access to inner parts
- Cast or welded construction
- V-shaped seats, floating ball
- Low pressure sealing
- Bi-directional sealing
- Outside tightness through bolted stuffing box
- Upstream/downstream tightness on soft seats
- Quarter turn handle or motor
- Weld ends (BW, SW), threaded ends, solid or screwed-on flanges, EN, ANSI standard
- PED 97/23 EC compliant



Competitive advantages

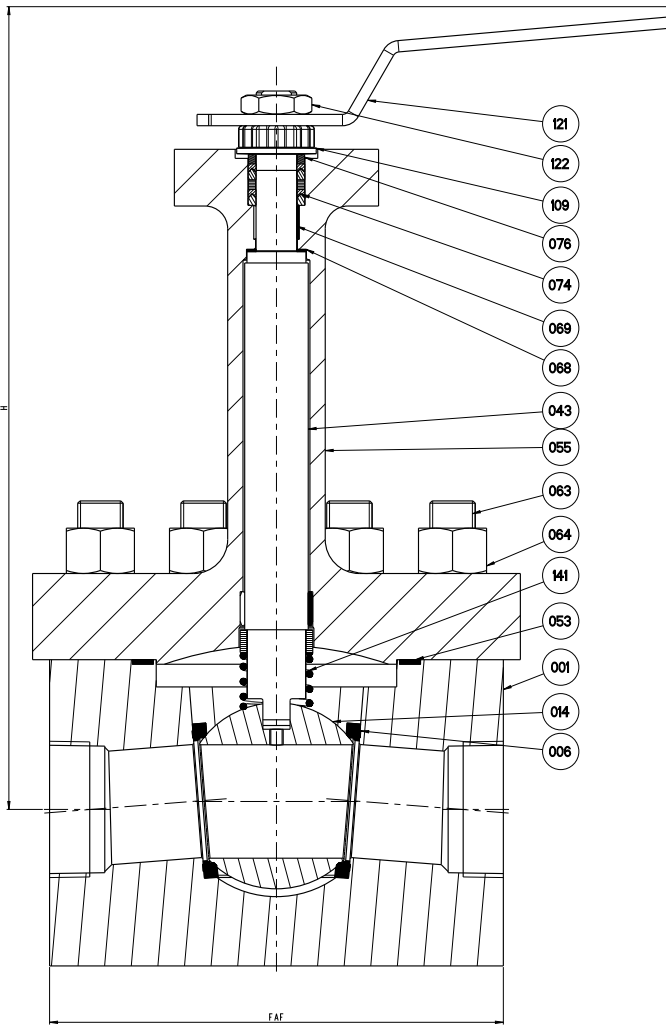
- Top entry design
 - ⇒ *easy on-line maintenance*
- Full bore
 - ⇒ *no pressure drop*
- Anti blow out stem
 - ⇒ *increased safety*

Ball & plug valve



121
122
109
076
074
069
068
043
055
063
064
141
053
001
014
006

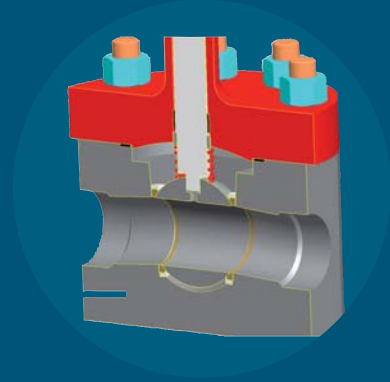




Part n°	Part name	Qty	Material
001	BODY	1	316/316L
006	SEAT	2	PTFE
014	BALL	1	316/316L
043	STEM	1	316/316L
053	BODY GASKET	1	PTFE
055	EXTENSION	1	316/316L
063	BODY STUD	8	STAINLESS STEEL
064	BODY NUT	8	STAINLESS STEEL
068	THRUST WASHER	1	PTFE
069	GUIDE RING	2	GLYCODUR ®
074	PACKING	4	PTFE
076	GLAND	2	316/316L
109	SPRING WASHER	2	SPRING STEEL
121	HANDLE	1	STAINLESS STEEL
122	NUT	2	STAINLESS STEEL
141	SPRING	1	316L

Range

DN 10 to DN 80
 PN 6 to PN 63
 CLASS 150 - CLASS 300



OPTIONS

- Other materials : stainless steels, duplex, nickel alloys (Monel ®, Hastelloy ®..), special alloys (Titanium, Zirconium...)
- Extended bonnet for cryogenic service
- Fire safe design / ATEX
- FDA gaskets
- Spring and seats material as suitable for medium
- Manual operator on ISO base
- Electric actuator
- Limit or proximity switches
- Additional purge and/or cleaning nozzles
- Gland leak detector
- Single or double acting quarter turn pneumatic actuator
- Operator locking device
- Other face-to-face dimensions



26 rue Paul Girod – Z.I. Bissy ● 73000 Chambéry ● France
 Tél : + 33 (0)4 79 44 59 00 ● Fax : + 33 (0)4 79 44 59 01
 E-mail : info@guichon.com ● www.guichon.com

Top entry ball valve
 Floating ball
 Full bore / type 311