



Petrochemicals

# Process Valves for Fluid Catalytic Cracking



General Chemicals



Fine Chemicals



Plastics and Polymers



Nuclear and Navy



Cryogenic Service



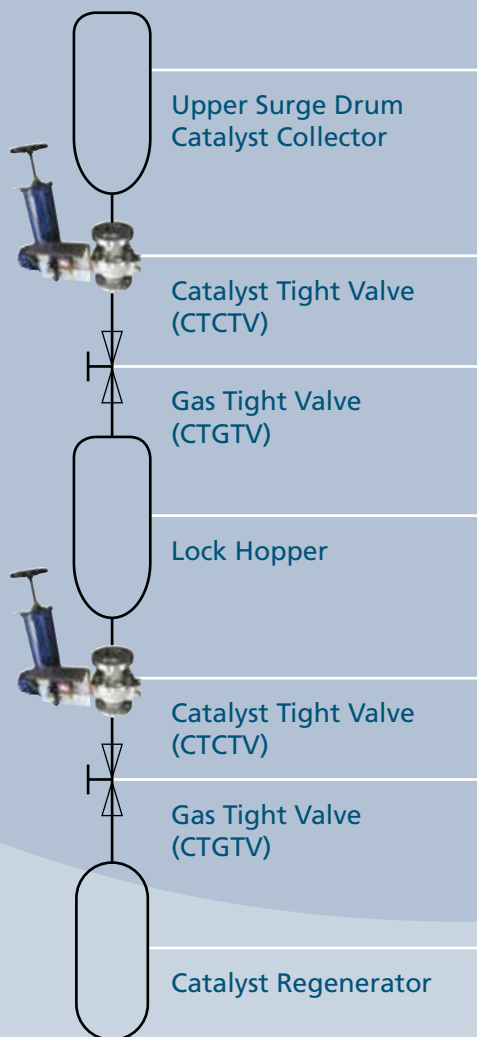
Other Applications



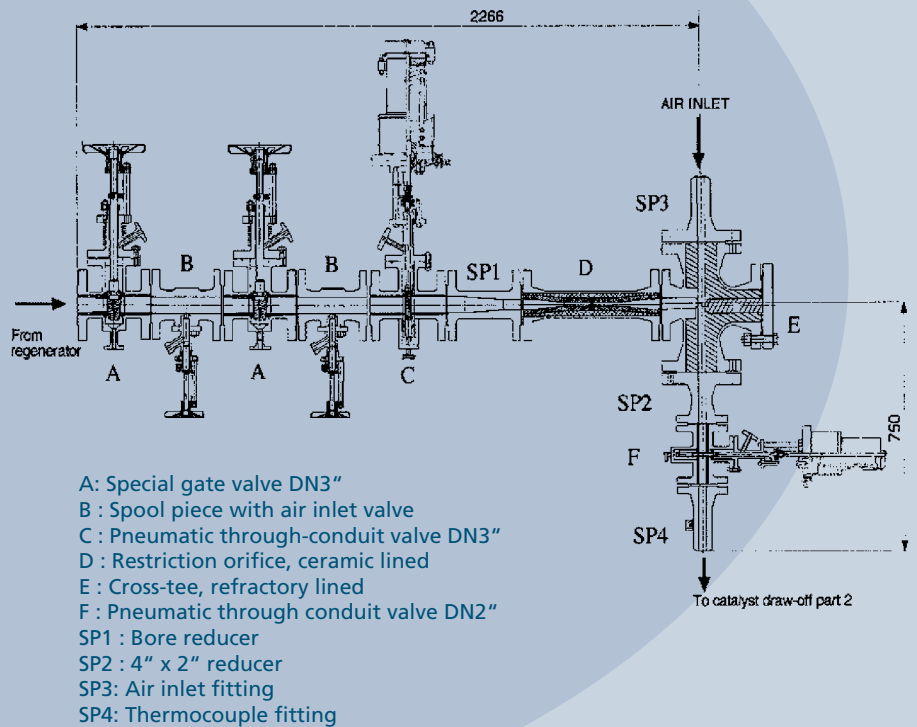
Member of VALCO GROUP

# Increase valves reliability in Reforming and FCC processes

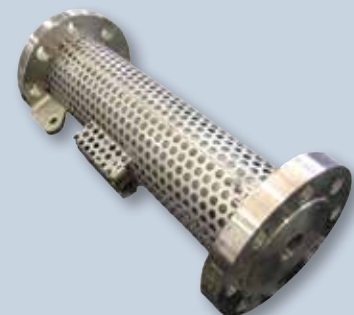
## Reforming regeneration loop



## Catalyst draw-off system in Fluid Catalytic Cracking (FCC) applications

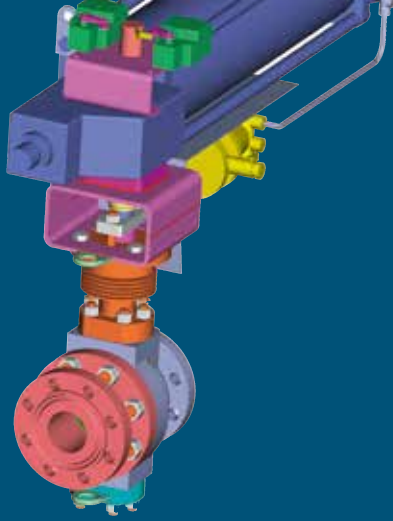


- **Restriction orifice**  
 Size 3" - class 300  
 Fabricated construction  
 Stainless steel (321) - ceramic lining



### Main requirements of FCC applications :

- resistance to abrasion
- high temperature suitability
- long life and reliability

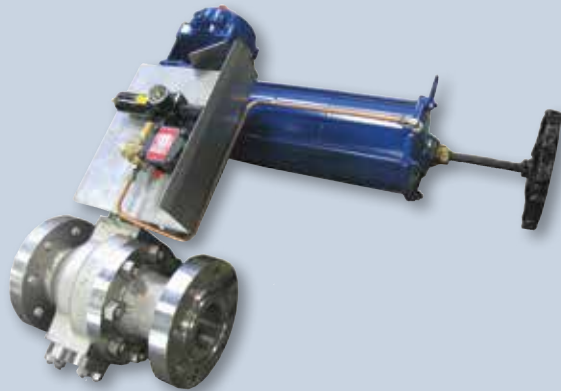


**25 years experience  
in catalyst applications**



**Ball valve**

Type 355 CTCTV Catalyst Tight Valve,  
Size 3" and 4" - class 300 - A351 CF8C  
Single acting pneumatic  
actuator with manual override + accessories



**Our features include :**

- All weldable high temperature materials
- Ceramic, concrete and full stellite linings allowing for longer service duration and improved safety.

**Double slide valves for high temperature**

Type 258  
Size 1" to 8" - class 150 to 600  
Stainless steel (e.g. 321, 304...)



**Gate valves for high temperature service**

Type 755  
Size 2" to 6" - class 150 to 600  
Fabricated construction  
Stainless steel (e.g. 321, 304... )

**Catalyst sampling device**

Type 100  
Size 3" - class 300 or 600,  
Stainless steel (321)



## Agreements and Quality Management

**ISO 9001 : 2008** Certification first obtained as early as 1997

**ISO 14001 : 2004** Environmental Management System

**OHSAS 18001 : 2007** Health and Safety

**ISO 26000** : Corporate Social Responsibility (CSR)

**EC CONFORMITY** according Module H of PED 2014/68/EU

**AD 2000** Merkblatt HP0 & A4 - **ISO 3834-3/2005**

**NUCLEAR QUALIFICATIONS :**

EDF RCC-M Q2, Q3, QC, ASME NQA-1

**EAC CONFORMITY** (EurAsian Conformity Mark) :

CU TR 010, CU TR 032

**CONSTRUCTION CODES :**

EN, ASME, AD-2000, CODAP, RCC-M

**WELDING** : EN, ASME, AD-2000 and RCC-M

## Petrochemicals



**GUICHON VALVES** also has a special know-how in transfer line and decoking line valves for steam cracking applications.

## Some of our worldwide clients

### - End users

ADNOC

ANCAP

ARAMCO

CHINA PETROLEUM

FORMOSA CHEMICAL FIBER COMPANY

IOCL

MOZYR REFINERY

PEMEX

PETROCHINA

PETRON

PETRONOR

REPSOL

SHELL

S-OIL

TAMOIL

TOTAL...

### - Engineering Companies

AXENS

DAELIM

ENGINEERS INDIA LTD

FLUOR DANIEL

FOSTER WHEELER

JGC

QAPCO

LARSEN & TOUBRO

MIGHTY ENGINEERING & TECHNOLOGY

REPSOL

SAMSUNG ENGINEERING

SASOL TECHNOLOGIES

SINOPEC

SK ENGINEERING

TECHNIP

TECNICAS REUNIDAS

VINCI TECHNOLOGIES

## Leading manufacturer on its market



*Experienced and qualified welders*

**Guichon VALVES** was created in 1921. The relationship with IFP (Institut Français du Pétrole) started in 1978 by co-designing the sampling device for catalyst application.

Along the years, **GUICHON VALVES** developed more products dedicated to demanding petrochemical applications for major companies worldwide.

The Company has full control over the design, manufacturing and testing of its products and also provides extensive after sales service.

Our know-how in manufacturing high performance valves, added to the expertise of our engineering and design department, have ensured constant progress in the development of innovative and effective solutions, produced by our Company.



*Machining shop equipped for in-house production*



*Design department: the company's heart*



*Local production plant*

*Expertise and Safety, Synchronized with Customer Needs*



Member of VALCO GROUP

26 rue Paul Girod - Z.I. Bissy

73 000 Chambéry - France

Tél : + 33 (0)4 79 44 59 00

Fax : + 33 (0)4 79 44 59 01

E-mail : [info@guichon.com](mailto:info@guichon.com)

[www.guichon.com](http://www.guichon.com)

P-FCC-Ang / 04.06 / 03.10 / 07.17