

application: **liquids** **high viscosity fluids**

Sampling Valve

Piston valve/type 655M

Features

- Horizontal and vertical mounting
- Cast body in 316 Stainless Steel (ASTM A351 CF8M)
- Polished piston in 316Ti Stainless Steel
- Outlet angle: 30°
- Outside rising stem with opening indicator
- Seats and stuffing box packing in PTFE glass
- 3/4" NPT-M inlet x 1/2" NPT-F outlet
- PED 97/23/EC compliant

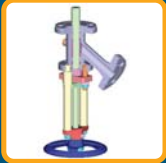
Competitive advantages

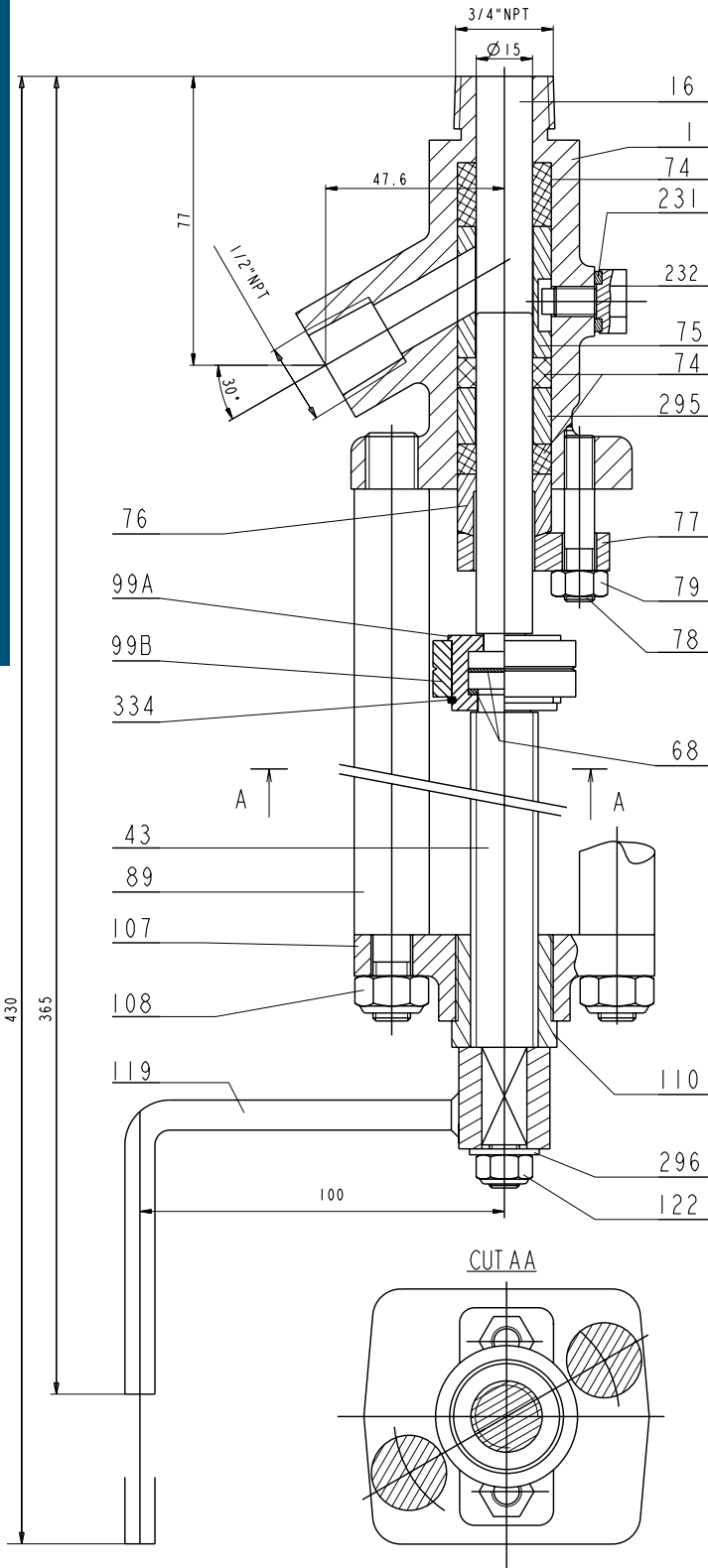
- Direct in-line sampling
 - ⇒ Genuine sample
- Flush closing piston
 - ⇒ No retention area
- Adjustable piston extension (0-25-50 mm)
 - ⇒ Flexible design to fit customer requirements
 - ⇒ Crust-breaking position



Sampling valve

Piston valve

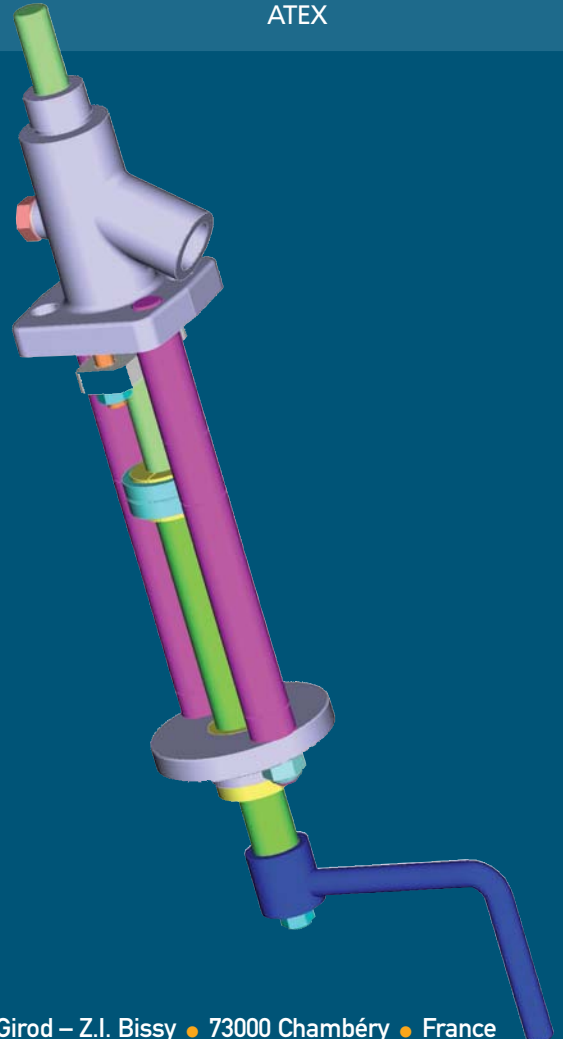




Part n°	Qty	Part name	Material
1	1	Body	A351 CF8M
16	1	Piston	316Ti / 1.4571
43	1	Stem	420 / 1.4021
68	2	Friction ring	Glass filled PTFE
74	4	Packing	Glass filled PTFE
75	1	Lantern	316L / 1.4404
76	1	Gland bushing	316L / 1.4404
77	1	Gland flange	Stainless Steel
78	2	Stud	A193 GrB8
79	2	Nut	A194 Gr.8
89	2	Column	Stainless Steel
99A	2	Coupling	303
99B	1	Coupling	303
107	1	Bridge	Stainless Steel
108	2	Column nut	A194 Gr.8
110	1	Yoke nut	Bronze
119	1	Crank	Stainless Steel
122	1	Crank nut	A194 Gr.8
231	1	Flat gasket	Klingersil
232	1	Thrust screw	316L / 1.4404
295	1	Spacer	316L / 1.4404
296	1	Washer	Stainless Steel
334	1	Circlips	Steel

OPTIONS

- Heating jacket
- Double acting pneumatic actuator
- Seat and packing rings in Graphite (for high temperature applications)
- EN10204 3.1 certificates; ATEX



26 rue Paul Girod – Z.I. Bissy • 73000 Chambéry • France
 Tél : + 33 (0)4 79 44 59 00 • Fax : + 33 (0)4 79 44 59 01
 E-mail : info@guichon.com • www.guichon.com