



General
Chemicals



Fine
Chemicals



Petro-
chemicals



Plastics
and
Polymers



Nuclear
and Navy



Cryogenic
Service



Other
Application

application: liquids liquids with solid particles

Sampling Valve
Compact design
type 616M

Sampling Valve

Compact design/type 616M

Features

- DN 50 - PN 10
- Cast body
- Conical piston seating hard faced with stellite
- Back seat and piston tightness with FEP encapsulated viton O'ring
- Direct sampling in the process flow
- Sampling pot with quick disconnect
- Outlet angle : 60°
- Polished flush closing piston
- Pad mounting
- Turning non rising stem
- Polished internal (Ra 0,4 µm) and external (Ra 1,6 to 2 µm) surfaces
- PED 97/23/EC compliant
- Weight: 13.6 kg

Competitive advantages

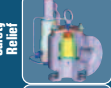
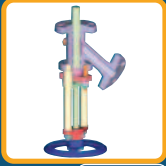
- Very compact
 - ⇒ *easy to fit, even in confined environment*
- Conical stellite-to-metal piston seating
 - ⇒ *better tightness*
 - ⇒ *longer lasting sealing*
- Back seat with O'ring
 - ⇒ *low maintenance and easy cleaning*
 - ⇒ *low contamination risks*
 - ⇒ *low operating torque*
- Flush closing piston
 - ⇒ *no retention area*
- Direct sampling in the process medium
 - ⇒ *genuine sample*
- Wetted surfaces polished
 - ⇒ *No retention of product*
- Tubular yoke instead of column
 - ⇒ *Low contamination risks*

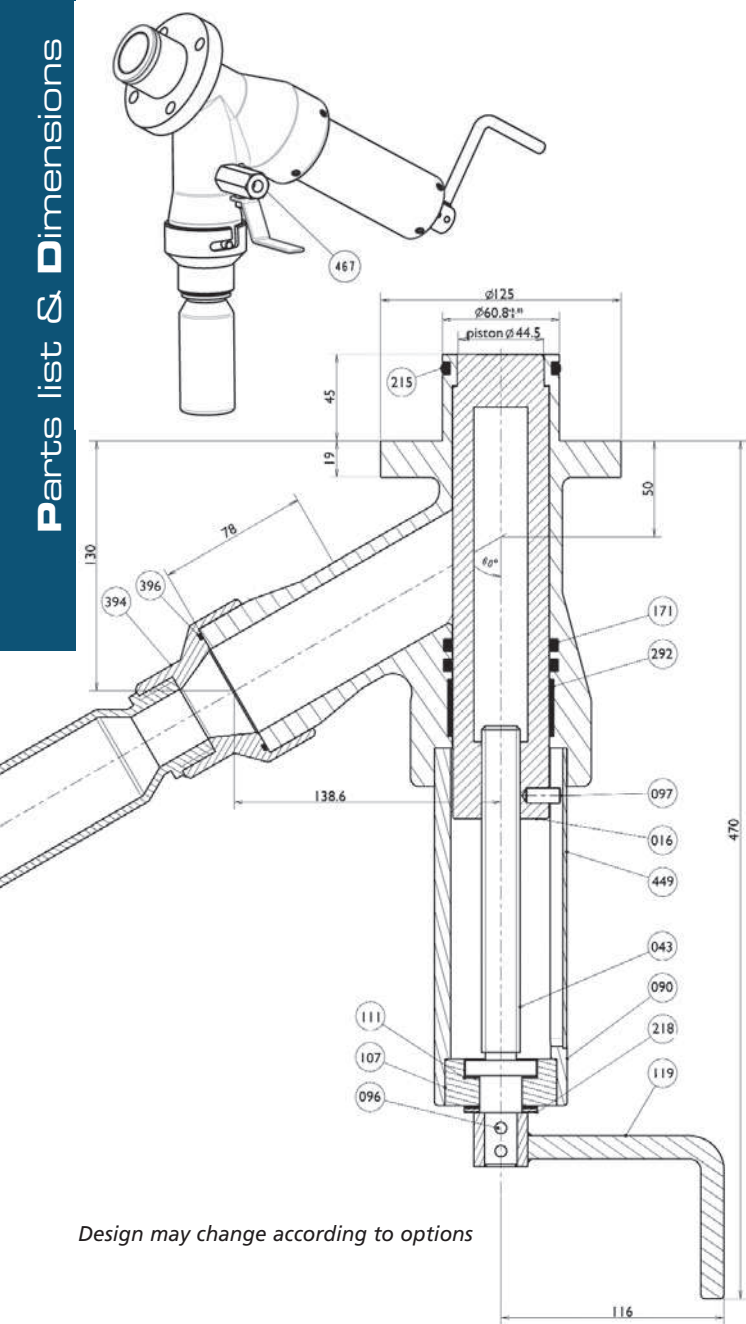


Sampling valve



Piston valve





Design may change according to options

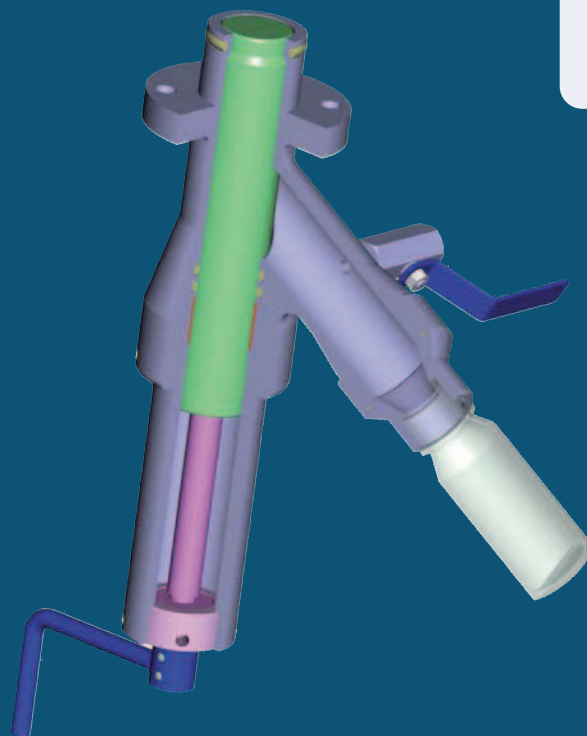
Alternative:



Type 616N Sampling valve
 High performance
 Suitable for vacuum applications
 Welded construction
 Quick body dismantling
 Nitrogen injection
 nozzle on request



Part n°	Part name	Material
1	Body	A351 CF3M
16	Piston	316 L / Stellite
43	Stem	Bronze
90	Yoke	304 L
96	Pin	Stainless Steel
97	Indicator	Stainless Steel
107	Bearing	304 L
111	Thrust ring	PTFE
119	Lever	304 L
171	Piston o'ring	Viton / FEP
215	Piston nose o'ring	Viton / FEP
218	Washer	Stainless Steel
292	Gland spacer	PTFE
394	Sampling pot	Stainless Steel + Pyrex glass
396	Sampling pot gasket	Viton
467	Degazing valve	316 L



OPTIONS

- Adaptation of customer's sampling pot
- Sampling pot cover
- EN10204 3.1 certificates ; ATEX



26 rue Paul Girod – Z.I. Bissy • 73000 Chambéry • France
 Tél : + 33 (0)4 79 44 59 00 • Fax : + 33 (0)4 79 44 59 01
 E-mail : info@guichon.com • www.guichon.com