

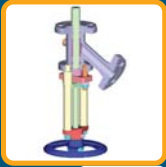


application: **liquids high viscosity fluids**

Piston Valve

Radial sealing / Welded design type 605N

Piston valve



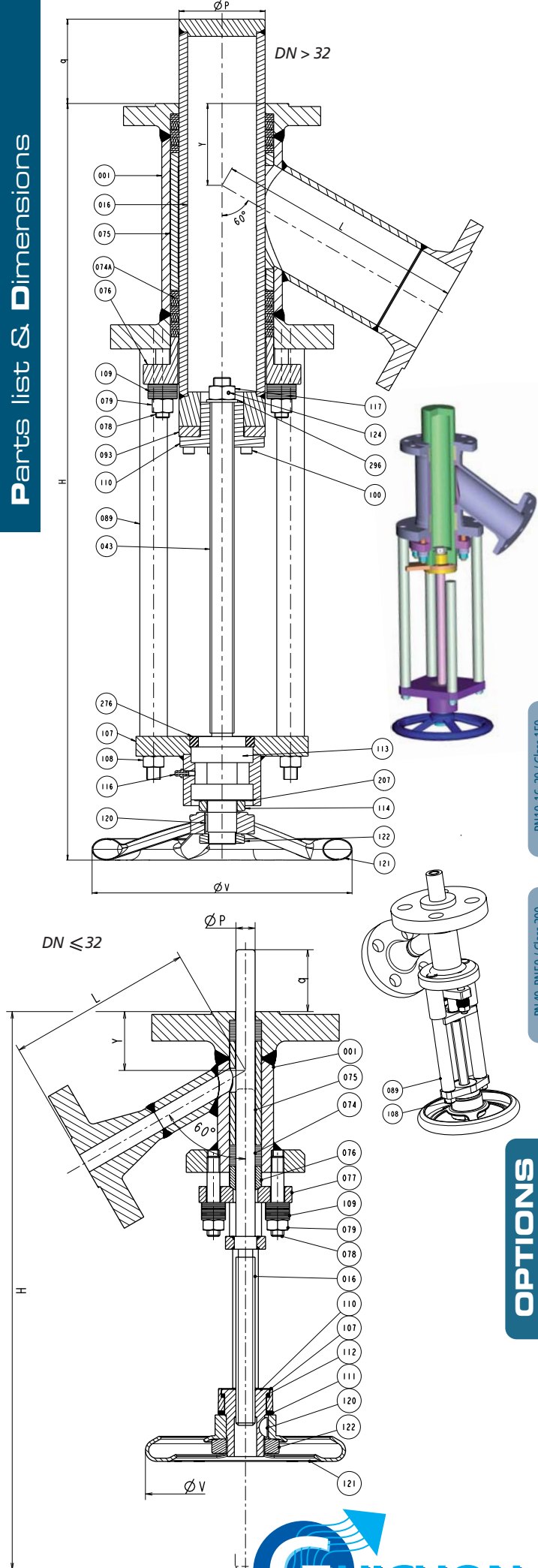
Features

- Welded (fabricated) construction in 316L Stainless Steel
- Polished piston
- Radial piston sealing against packing rings
- Flush closing piston or protruding piston on request
- Rising non turning stem up to DN 32 included, turning non rising stem above
- Position indicator
- Outlet angle: 60°
- Bolted stuffing-box, self adjusted with spring washers, repackable in service
- Integral connection flanges class 150-300
- PED 97/23/EC compliant

Competitive advantages

- Flexible design
 - ➡ *Easy adaptability*
 - ➡ *Short and reliable delivery time*
- Full bore, low pressure drop
 - ➡ *Higher efficiency*
- Live loaded (repackable) stuffing box
 - ➡ *Low maintenance*
- Polished piston
 - ➡ *Smooth surface, no retention*
- Rising non turning piston
 - ➡ *Reduced packing wear*
- Extended piston tip
 - ➡ *Crust breaking position*





| Part n° | Part name | Qty | Material |
|---------|-----------------------|-----|----------------------|
| 001 | Body | 1 | 316L |
| 016 | Piston | 1 | 316L |
| 043 | Stem | 1 | 25CD4 |
| 074 | Packing | * | PTFE/silk |
| 075 | Lantern | 1 | 316 L |
| 076 | Gland | 1 | 316 L |
| 077 | Gland flange | 1 | Stainless Steel |
| 078 | Gland stud | * | A 193 Gr.B8M (A4-70) |
| 079 | Gland nut | * | A 194 Gr.8M (A4-70) |
| 089 | Column | 2 | Stainless steel |
| 093 | Opening indicator | 1 | Stainless steel |
| 100 | Screw | 6 | Stainless steel |
| 107 | Bridge | 1 | Stainless steel |
| 108 | Column nut | 2 | A4-70 |
| 109 | Spring washer | * | 50 CV4 |
| 110 | Yoke nut | 1 | 303 or bronze |
| 111 | Upper friction washer | 1 | Celoron |
| 112 | Lower friction washer | 1 | Celoron |
| 113 | Needle bearing | 2 | Steel |
| 114 | Threaded ring | 1 | Stainless Steel |
| 120 | Handwheel key | 1 | A56 |
| 121 | Handwheel | 1 | Painted steel |
| 122 | Handwheel nut | 1 | Zinc coated steel |
| 124 | Pin | 1 | Stainless steel |
| 207 | Stop washer | 1 | Stainless steel |
| 276 | Lips gasket | 1 | Nitrile |
| 296 | Thrust ring | 1 | Stainless steel |

(*) Quantity according to size/class

| DN | 15 | 20 | 25 | 32 | 40 | 50 | 65 | 80 | 100 | 125 | 150 | 200 |
|-----------------|--------------------------|------|-----|-----|-----|-----|-----|------|-----|-----|------|------|
| $\varnothing P$ | 15 | 20 | 25 | 30 | 40 | 50 | 60 | 80 | 100 | 125 | 150 | 200 |
| q | AS REQUESTED BY CUSTOMER | | | | | | | | | | | |
| Y | 40 | 45 | 50 | 60 | 60 | 65 | 75 | 85 | 95 | 105 | 125 | 155 |
| L | 130 | 140 | 150 | 160 | 180 | 200 | 220 | 240 | 290 | 330 | 350 | 435 |
| $\varnothing V$ | 120 | 120 | 180 | 200 | 250 | 250 | 300 | 300 | 400 | 500 | 600 | 650 |
| Ho (2) | 385 | 400 | 445 | 570 | 510 | 560 | 615 | 740 | 830 | 980 | 1070 | 1380 |
| W/Kg(3) | 8,5 | 13,5 | 16 | 19 | 20 | 25 | 41 | 63,5 | 76 | 159 | 275 | 343 |

PN10, 16, 20 / Class 150

| DN | 15 | 20 | 25 | 30 | 40 | 50 | 60 | 80 | 100 | 125 | 150 | 200 |
|-----------------|--------------------------|------|-----|-----|-----|-----|-----|--------------------|--------------------|--------------------|--------------------|--------------------|
| $\varnothing P$ | 15 | 20 | 25 | 30 | 40 | 50 | 60 | 80 | 100 | 125 | 150 | 200 |
| q | AS REQUESTED BY CUSTOMER | | | | | | | | | | | |
| Y | 40 | 45 | 50 | 60 | 60 | 65 | 75 | 85 | 95 | 105 | 125 | 155 |
| L | 130 | 140 | 150 | 160 | 180 | 200 | 220 | 240 | 290 | 330 | 350 | 435 |
| $\varnothing V$ | 120 | 120 | 180 | 200 | 250 | 250 | 400 | 300 ⁽¹⁾ | 500 ⁽¹⁾ | 600 ⁽¹⁾ | 750 ⁽¹⁾ | 800 ⁽¹⁾ |
| Ho (2) | 385 | 400 | 445 | 570 | 510 | 560 | 705 | 820 | 990 | 1080 | 1150 | 1515 |
| W/Kg(3) | 8,5 | 13,5 | 16 | 19 | 20 | 25 | 48 | 73 | 83,5 | 203 | 312 | 451 |

PN40, PN50 / Class 300

- (1) Manual gear
- (2) Ho calculated for dimension q = 0
- (3) Weights quoted for dimension q = 0

OPTIONS

- Other pressure classes, other sizes
- Piston protrusion length on request
- Other outlet angle
- Interchangeable seat
- Contoured piston
- Other materials: austenitic Stainless Steels (304L, 321, 904...), Duplex, Hastelloy®, Incoloy®, Monel®, Inconel®, Titanium, Zirconium...
- Graphite sealing rings for high temperature
- Heating jacket
- Valve welded to pipe insert flange (type 608)
- Counter flange (pad)
- Screwed flanges
- Pneumatic, electric or hydraulic actuator
- Manual override
- Cleaning nozzle
- Internal surface Ra $\geq 0,4 \mu\text{m}$
- EN10204 3.1 certificates, ATEX
- ASME, JIS, GOST... standards



26 rue Paul Girod – Z.I. Bissy • 73000 Chambéry • France
 Tél : + 33 (0)4 79 44 59 00 • Fax : + 33 (0)4 79 44 59 01
 E-mail : info@guichon.com • www.guichon.com

Piston Valve
 Radial sealing/Welded design
 type 605N