



General Chemicals



Fine Chemicals



Petrochemicals



Plastics and Polymers



Nuclear and Navy



Cryogenic Service



Other Application

Axial ball check valve  
Reduced pressure drop  
Welded design / type 904N

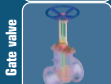
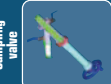
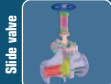
application: liquids high viscosity fluids

# Axial ball check valve

## Reduced pressure drop

## Welded design / type 904N

Check valve



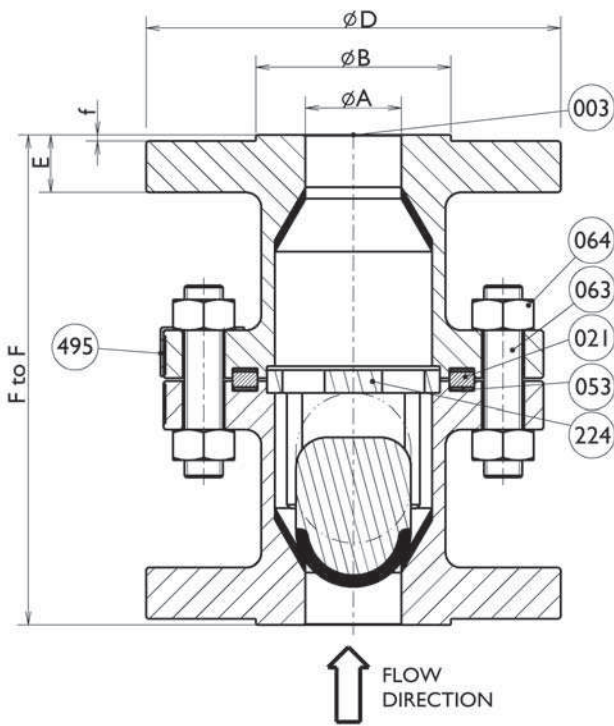
### Features

- 2 fabricated or solid half-bodies
- Assembly on vertical line
- Hemispheric ball seating surface: metal-to-metal or PTFE-to-metal
- Profiled metal plug or PTFE ball
- Recessed body gasket: graphite ring or flat gasket
- F to F dimensions acc. to EN 558
- Screwed-on or solid flanges acc. to EN, ANSI, BS standards
- PED 97/23/EC compliant

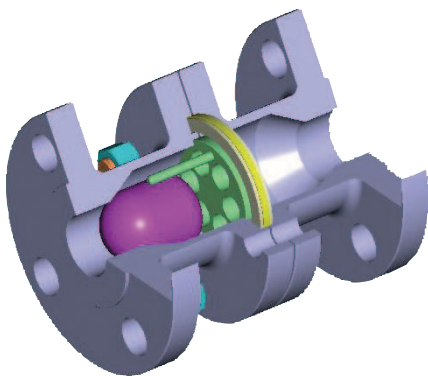
### Competitive advantages

- Interchangeable half-bodies
  - ➡ *increased safety*
  - ➡ *longevity increased by reversing internal parts*
- Low pressure drop
- Recessed body gasket
  - ➡ *improved tightness*
  - ➡ *low maintenance*
- Profiled metal plug
  - ➡ *better guiding*
  - ➡ *optimum tightness*





Design may change according to size pressure class or options



Part n°	Part name	Material
3	Half body	316 L
14	Plug or ball	316 L or PTFE
21	Spacer	316 L
53	Body gasket	PTFE
63	Body stud	A4-70
64	Body nut	A4-70
224	Thrust	316 L
495	Cover	Stainless Steel

DN	15	20	25	32	40	50	65	80
Ø A	15	20	25	32	40	50	65	80
Ø D	95	105	115	140	150	165	185	200
Ø B	45	58	68	78	88	102	122	138
E	16	18	18	18	18	18	18	20
f	2	2	2	2	3	3	3	3
F to F (EN558)	108	117	127	140	165	203	216	241
Weight/kg (PTFE ball)	2,5	3,6	3,9	5,5	6,4	11,8	15,5	21,2
Weight/kg (metal plug)	2,6	3,8	4,1	6,2	7,1	12,9	17,7	24

DN	15	20	25	32	40	50	65	80
Ø A	15	20	25	32	40	50	65	80
Ø D	95	105	115	140	150	165	185	200
Ø B	45	58	68	78	88	102	122	138
E	16	18	18	18	18	20	22	24
f	2	2	2	2	3	3	3	3
F to F (EN558)	130	150	160	180	200	130	190	310
Weight/kg (PTFE ball)	2,6	3,8	4,2	5,8	7,1	12,6	18,2	23,8
Weight/kg (metal plug)	2,7	4	4,4	6,5	7,8	13,7	20,4	26,6

DN	15	20	25	32	40	50	65	80
Ø A	15	20	25	32	40	50	65	80
Ø D	89	98	108	117	127	152	178	190
Ø B	34,9	42,9	50,8	63,5	73	92,1	104,6	127
E	12,5	14,5	15	15	15	20	20	20
f	1,6	1,6	1,6	1,6	1,6	1,6	1,6	1,6
F to F (EN558)	108	117	127	140	165	203	216	241
Weight/kg (PTFE ball)	2,3	3,2	3,6	4,9	5,7	10,4	15,3	20,2
Weight/kg (metal plug)	2,4	3,4	3,8	5,6	6,4	11,5	17,5	23

DN	15	20	25	32	40	50	65	80
Ø A	15	20	25	32	40	50	65	80
Ø D	95	117	124	133	156	165	190	210
Ø B	34,9	42,9	50,8	63,5	73	92,1	104,6	127
E	16	17,5	19	20,5	22	24	27	30,5
f	1,6	1,6	1,6	1,6	1,6	1,6	1,6	1,6
F to F (EN558)	130	150	160	180	200	230	290	310
Weight/kg (PTFE ball)	2,6	4	4,3	5,8	7,3	12,6	18,5	24,2
Weight/kg (metal plug)	2,7	4,2	4,5	6,5	8	13,7	20,7	27

## OPTIONS

- Other face to face dimensions
- Other pressure classes
- Heating jacket
- Screwed flanges
- Connections acc. to other standards
- Other materials : austenitic
- Stainless Steel (304, 321, UB6...), Duplex, Hastelloy®, Incoloy®, Monel®, Inconel®, Titanium, Zirconium...
- Hard faced seating surfaces
- EN10204 3.1 certificates